

Checking procedure and recommended lifetime of track rollers in rear hold down assembly

CATEGORY: Information for Factory Implementation

Summary: CarnaudMetalbox Engineering introduce new inspection, maintenance and replacement procedures for the rear hold down assembly track rollers to prevent component failure and associated costs.

Checking procedure and recommended lifetime of track rollers in rear hold down assembly.

The track roller, part number 2006120B, is a wear item which requires periodic inspection and scheduled maintenance to monitor its condition so it can be replaced before failure. Catastrophic failure of the track roller may damage other parts of the machine. See Fig. 1

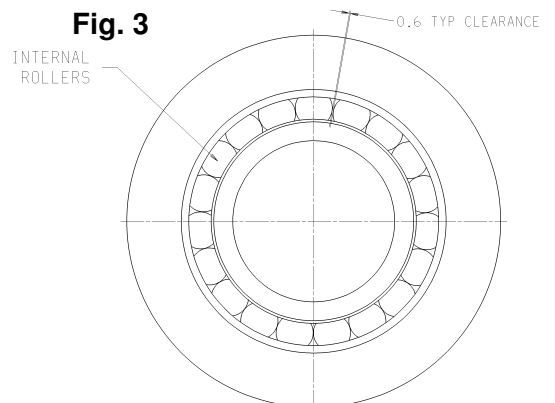
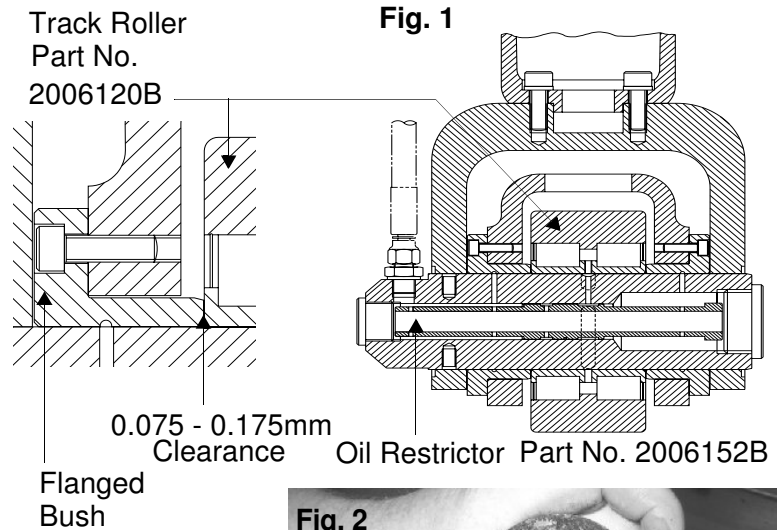
Track roller lubrication - six months

The track roller is fed with oil through the Oil Restrictor, Part number 2006152B. Depending on the condition of the oil, contamination can accumulate in the Oil Restrictor and reduce the flow of oil that lubricates the track rollers. Every six months the Oil Restrictor should be removed and cleaned to remove any contamination and clear all oil ways. The Oil Restrictor should be cleaned every time the track roller is replaced. See Fig. 2

Track roller inspection - six months (Twelve months after installation and then subsequently every six months)

There should be 0.075 - 0.175mm clearance on each side of the track roller between the flanged bushes. This should be checked every six months with a feeler gauge to ensure there is not excessive clearance due to wear. If there is excessive clearance the track roller and/or flanged bushes may be worn and require replacing. See Fig. 1

It is also recommended the gaps between the nineteen internal rollers are checked, as excess clearance may allow the rollers to move out of position and seize the follower. When new the clearance is typically 0.6mm. This may change due to accumulation of tolerance. If the gap exceeds 2.5mm the track roller requires replacing. See Fig. 3
Unfortunately the cam lever inhibits access to the internal rollers so it is necessary to remove the track rollers to inspect the clearance.





ENGINEERING

Technical Bulletin

TB5000-059

Sheet: 2 of 2

5000 Bodymaker

Issue: 10.01.2012

Checking procedure and recommended lifetime of track rollers in rear hold down assembly

Track roller life span - two years

It is very difficult to predict the expected lifetime of the Track Rollers as it depends on many factors such as machine speed and oil cleanliness. CarnaudMetalbox Engineering recommend the track roller are replaced every two years to prevent unexpected failure.

NOTE: See lubrication charts supplied with machine and machine manuals for lubrication details.

For further information regarding this Technical Bulletin and for a complete list of the components necessary to implement this upgrade please contact either of the contacts below quoting Technical Bulletin Number [TB5000-059](#) and your machine Serial Number.

Note: a complete Library of Technical Bulletins is accessible on the Company Web Site.

CarnaudMetalbox Engineering Plc,
Dockfield Road, Shipley,
West Yorkshire, BD17 7AY, UK
Tel: +44 1274 846200, Fax: +44 1274 846201
[email: sales@CMBEcanmaking.com](mailto:sales@CMBEcanmaking.com)

CarnaudMetalbox Engineering Plc,
79 Rockland Road, Norwalk,
Connecticut 06854, USA
Tel: +1 203 853 7325, Fax: + 1 203 866 7627
[email: sales@CMBEcanmaking.com](mailto:sales@CMBEcanmaking.com)