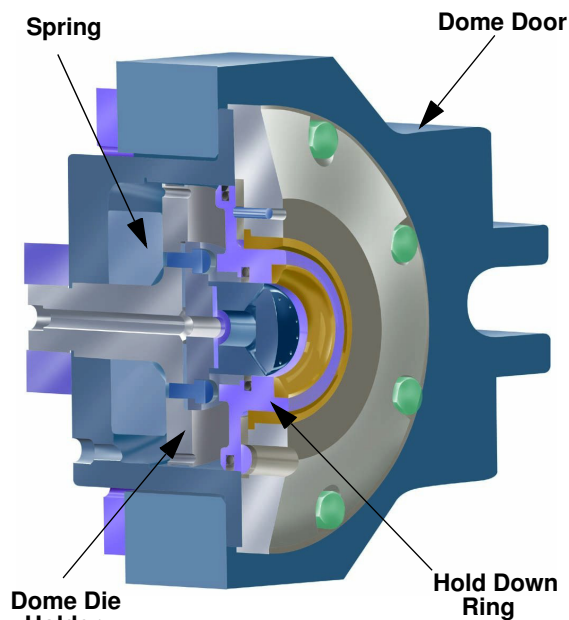


MICRODOMER DF-1

CATEGORY: Recommended

SUMMARY: CarnaudMetalbox Engineering have introduced a new microdomer / dome station designed to improve productivity and reduce maintenance for all types of bodymakers.

The microdomer can be installed into all types of bodymakers with minor modification to the existing machine configurations.



The New Microdomer

The new Microdomer offers a wide range of benefits including:

Lower Maintenance:

This is achieved because of fewer moving parts, only the Hold Down Ring and Dome Die Holder move.

Better Control of the Dome Depth:

This is also an advantage, achieved by positive location of the Hold Down Ring to the Dome Die.

Easy Access to Tooling:

The new Microdomer allows for tooling changes without the need for resetting the machine.

Production Proven:

The new Microdomer is now operational in can plants throughout the world.

Dome Depth Variation:

A small variation in dome depth $\pm 0.025\text{mm}$ ($\pm 0.001''$) across the Bodymaker speed range of 250 - 500 cpm.

Excellent control of dome depth $\pm 0.01\text{mm}$ ($\pm 0.0004''$) when running at a constant Bodymaker speed.

For further information about the Microdomer, please get in touch with one of the contacts listed below quoting the technical bulletin number **TB5000-027**.

Note: A complete Library of Technical Bulletins is accessible on the Company Web Site.