

FLOAT SWITCH TO LEVEL SENSOR CONVERSION

CATEGORY: Mandatory At Next Maintenance

Summary: CarnaudMetalbox Engineering have improved the present oil float switches that monitor oil levels in the crankcase, the crankcase clutch sump, and the hydrolube unit clutch. This development introduces more reliable and easily changeable level sensors in order to improve the machine efficiency and maintenance.

The new sensor incorporates no moving parts thus improving reliability. It senses the level of the oil, replacing the old switch type sensor that would float on the oil level and switch on or off at a certain point. This new arrangement is fitted in a teflon housing that is threaded into the tank wall, which is accessible from the exterior of the tank. This layout enables easy maintenance or replacement if required. The improvement is especially important in the case of the crankcase clutch oil sump, where the new switch will replace the two float switches currently needed. This will provide an even greater reliability of the machine.

Electrical Options: To be specified by customer at time of order.

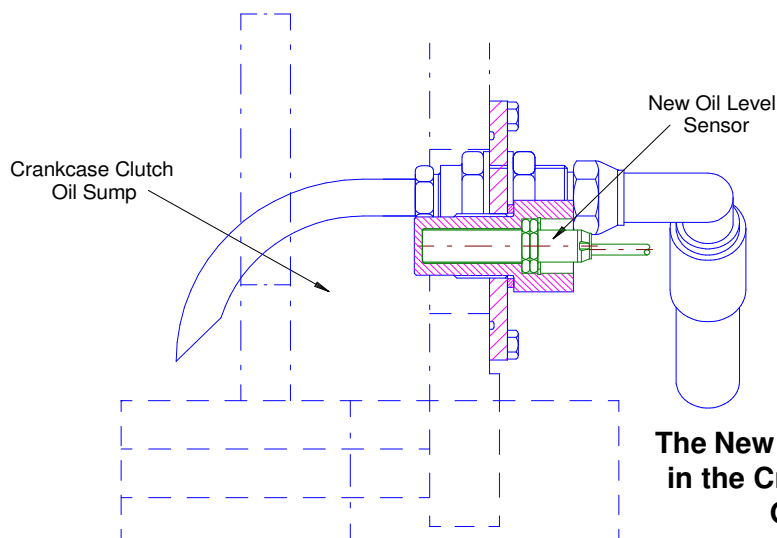
The level sensor is available on three electrical versions:

110 / 120 v AC
24 v DC PNP
24 v DC NPN

Please specify which you require, if in doubt please send us a copy of the circuit drawing showing where the level switch is connected at present.

This upgrade is applicable to 5000 Bodymakers (fitted as standard from serial number 172.s) available in the simple to fit form of a retrofit package. This enables a total fitting time of approximately four hours.

For further information about the power pack level switch conversion, please contact either of the references at CarnaudMetalbox Engineering detailed below, quoting the technical bulletin number **TB5000-005**.



**The New Oil Level Sensor
in the Crankcase Clutch
Oil Sump**

CarnaudMetalbox Engineering Plc,
Dockfield Road, Shipley,
West Yorkshire, BD17 7AY, UK
Tel: +44 1274 846200, Fax: +44 1274 846201
email: sales@CMBEcanmaking.com

CarnaudMetalbox Engineering Plc,
79 Rockland Road, Norwalk,
Connecticut 06854, USA
Tel: +1 203 853 7325, Fax: +1 203 866 7627
email: sales@CMBEcanmaking.com