

**Category:** Recommended

CarnaudMetalbox Engineering (CMbE) Ltd have designed an upgrade to the Discharge Guard Magnet bracket on all of our Bodymaker Series machines.

The benefit of the re-design will give the customer more reliability, improved fastening and better overall longevity. CMbE Ltd recommend that all customers with the existing Discharge Guard Magnet Bracket (Fig. 1), retrofit the newly designed Neodymium Magnet Door Catch Assembly (Fig. 2), upon their next maintenance schedule.

The newly designed Magnetic Door Catch Assembly consists of a Magnet bracket, a Neodymium magnet and associated fixings.

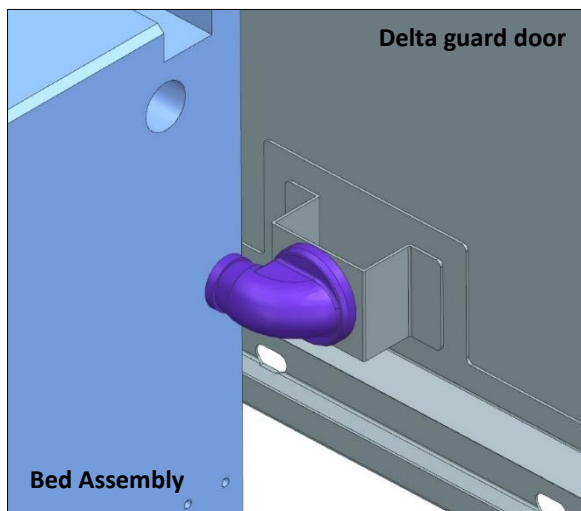


Fig. 1 - Existing Discharge Guard Magnet Bracket

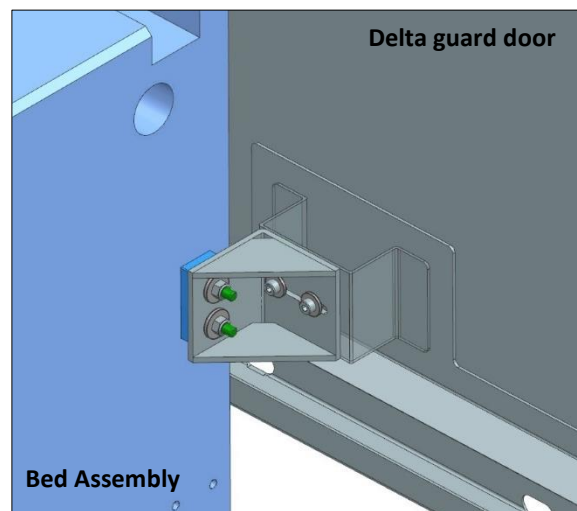


Fig. 2 - Neodymium Magnet Door Catch Assembly

For further information regarding this Technical Bulletin, please contact either of the references at CarnaudMetalbox Engineering Ltd below, quoting Technical Bulletin reference **TB5000-094**.

A complete library of Technical Bulletins is now available on the company website.

