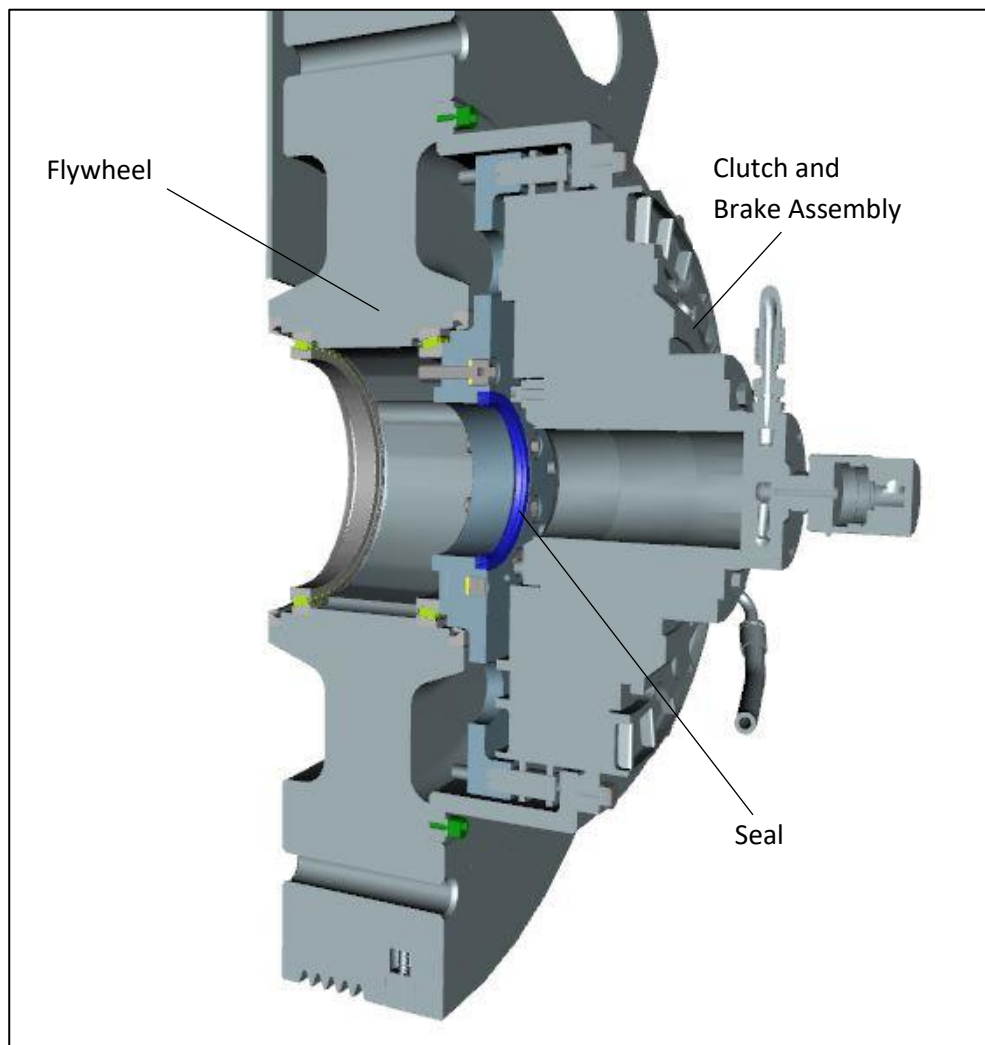


**CATEGORY:** Recommended at next machine maintenance

**Summary:** Carnaud Metalbox Engineering Ltd is recommending the replacement of the Oil Seal (part no. 23145616) on the Hybrid Clutch with a new Double-Lip Seal (part no. NBR-160-190-15AS). This new Seal incorporates a double lip and energiser spring, with a polymer coating to also seal on the outside diameter for optimum sealing performance, reducing the risk of leakage and oil contamination to the friction components of the Clutch and Brake.



**NOTE:** For further information regarding this Technical Bulletin please contact either of the contacts below quoting technical bulletin number **TB5000-078** and your machine Serial Number. A complete library of technical bulletins are available on the company web site.

CarnaudMetalbox Engineering Ltd,  
Dockfield Road, Shipley,  
West Yorkshire, BD17 7AY, UK  
Tel: +44 1274 846200, Fax: +44 1274 846201  
e-mail: [sales@CMBEcanmaking.com](mailto:sales@CMBEcanmaking.com)

CarnaudMetalbox Engineering Ltd,  
79 Rockland Road, Norwalk,  
Connecticut 06854, USA  
Tel: +1 203 853 7325, Fax: +1 203 866 7627  
e-mail: [sales@CMBEcanmaking.com](mailto:sales@CMBEcanmaking.com)