

CATEGORY: Upgrade advised when next maintaining cams or bearings

Summary: Carnaud Metalbox Engineering Ltd is recommending the implementation of clamp rings on the redraw cams of all Bodymakers.

The clamp rings perform two functions; the first, to allow anti-vibration Nordlock washers (Fig 1) to be applied to a surface other than the hardened cam face, this offers extra security to the fixings around the cam. The second function is to prevent the dowel pins becoming loose during continued operation.

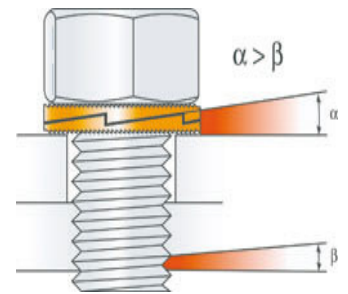


Fig 1: Nordlock washers locking principle

The clamp ring comes in two separate, semi-circular pieces (Fig 2). These separate pieces negate the need to completely remove the redraw cam from the crankcase housing, however, due to the limited access in this area, it will still be necessary to remove several main components, including the main bearing and primary connecting rod. As such, this maintenance upgrade must only be carried out by suitable service engineers.

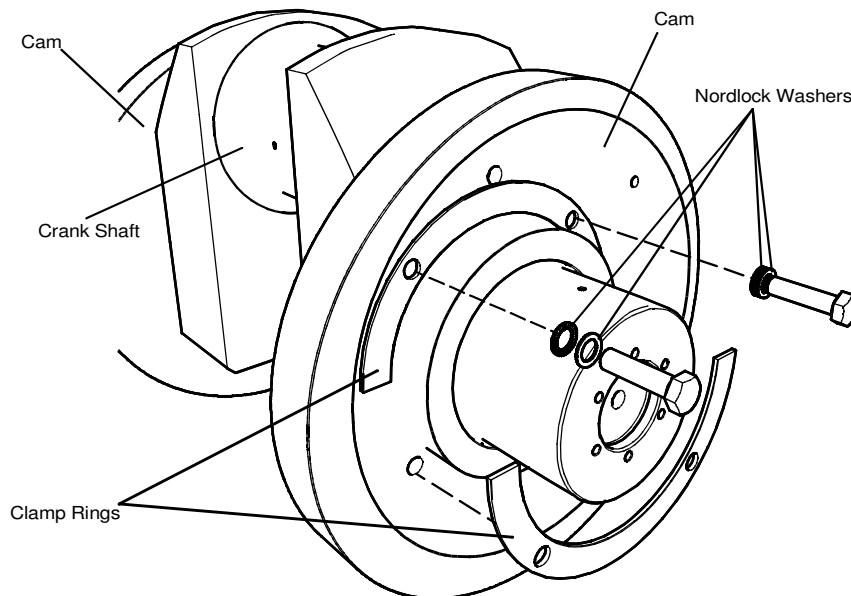


Fig 2: Redraw Cam Clamp Ring Overview

NOTE: For further information regarding this Technical Bulletin please contact either of the contacts below quoting technical bulletin number **TB5000-069** and your machine Serial Number. A complete library of technical bulletins are available on the company web site.

CarnaudMetalbox Engineering Plc,
Dockfield Road, Shipley,
West Yorkshire, BD17 7AY, UK
Tel: +44 1274 846200, Fax: +44 1274 846201
email: sales@CMBEcanmaking.com

CarnaudMetalbox Engineering Plc,
79 Rockland Road, Norwalk,
Connecticut 06854, USA
Tel: +1 203 853 7325, Fax: + 1 203 866 7627
email: sales@CMBEcanmaking.com