

Swing Lever (top end) Security

CATEGORY: Recommended

Available for all 5000 Bodymakers built prior machine serial number 195s.

Following review of the 5000 Bodymaker Swing Lever (top end) security, CarnaudMetalbox Engineering have introduced a new upgrade package incorporating a Pivot Pin and Locknut arrangement (illustration refers).

This latest improvement supersedes any previous work that may have been done to this part of the Swing Lever on these machines.

A kit of parts is now available to enable existing 5000 Bodymakers to be retrofitted with this new arrangement. The kit includes all the necessary new parts together with rework drawings for your existing Swing Lever.

Note: The kit does not include a new Swing Lever as it is possible to rework your existing part. The Swing Lever will however need to be removed from the machine for the rework.

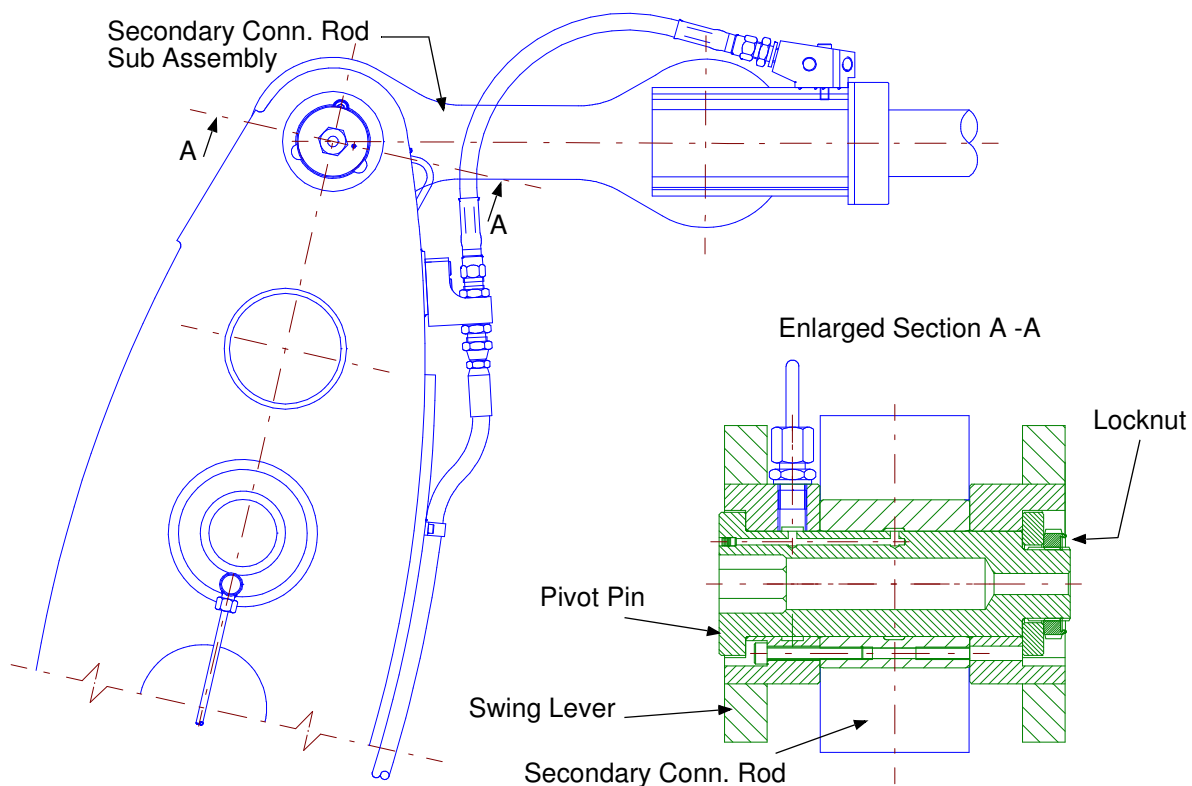
The rework drawing will be supplied by Carnaud-Metalbox Engineering

An estimation of the time scale for a complete retrofit using the kit supplied is two days. This includes one day for modification of the Swing Lever.

If ordering the Kit quote **TB5000-032/1**.

Also required will be a Socket for the Locknut, quote **TB5000-032/2**

For further information about the Swing Lever Top Pin modification please contact either of the references at CarnaudMetalbox Engineering detailed below, quoting the technical bulletin number **TB5000-032**



CarnaudMetalbox Engineering Plc,
 Dockfield Road, Shipley,
 West Yorkshire, BD17 7AY, UK
 Tel: +44 1274 846200, Fax: +44 1274 846201
 email: sales@CMBEcanmaking.com

CarnaudMetalbox Engineering Plc,
 79 Rockland Road, Norwalk,
 Connecticut 06854, USA
 Tel: +1 203 853 7325, Fax: +1 203 866 7627
 email: sales@CMBEcanmaking.com