

WATER ABSORPTION FILTER

CATEGORY: Recommended

SUMMARY: CarnaudMetalbox Engineering are introducing as standard a water absorption filter to prevent the gear oil in the bodymaker from becoming acidic and attacking the yellow metals in particular, which in the worst case could result in premature bearing failure.

Because the filter will also remove dirt particles down to 1 micron it is fitted on a bypass system which restricts the oil flow to 6LPM, therefore in a 24 hour period all the gear oil could be circulated through this filter approximately 20 times. Also as the oil is filtered down to 1 micron it will extend the life of other filters on the machine.

When the system is up and running the life of the elements is anticipated to be 4 - 6 weeks depending on the condition of the seal pack.

The system is protected by a pressure switch, which when activated will stop the machine

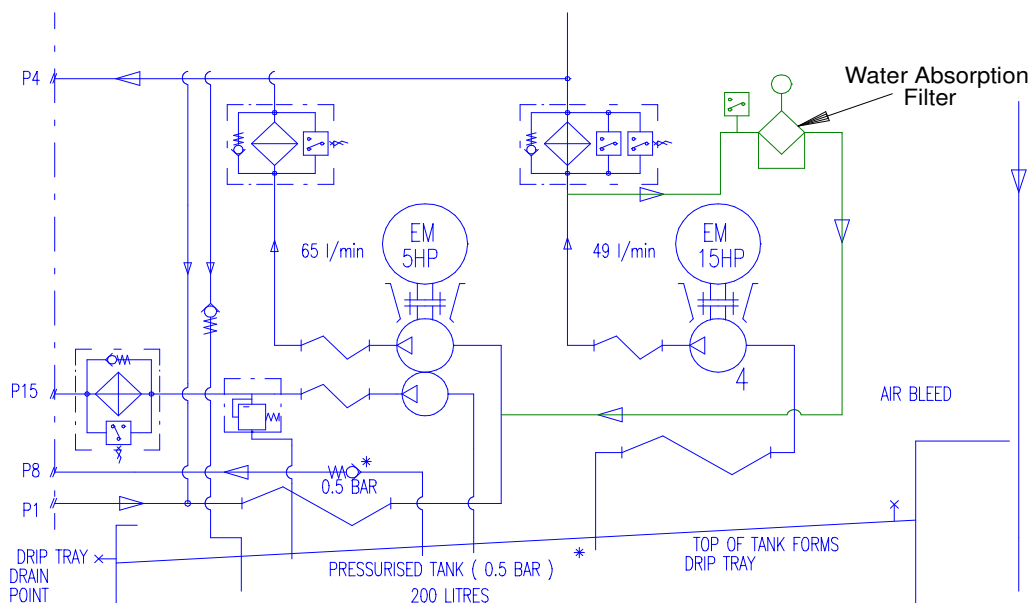
and a message on the display will read "Water removal filter blocked."

This kit is supplied in the form of a retrofit package which would take approximately four hours to fit mechanically and three hours to fit electrically assuming there are spare wires between the junction box on the power pack and the control cabinet.

Full fitting instructions will be sent with each package or alternatively you could obtain the services of one of our service engineers.

For further information about the water absorption filter package please contact one of the references at Carnaudmetalbox Engineering detailed below, quoting the technical bulletin number **TB5000-014**.

Note: A complete Library of Technical Bulletins is accessible on the Company Web Site.



CarnaudMetalbox Engineering Plc,
Dockfield Road, Shipley,
West Yorkshire, BD17 7AY, UK
Tel: +44 1274 846200, Fax: +44 1274 846201
email: sales@CMBEcanmaking.com

CarnaudMetalbox Engineering Plc,
79 Rockland Road, Norwalk,
Connecticut 06854, USA
Tel: +1 203 853 7325, Fax: +1 203 866 7627
email: sales@CMBEcanmaking.com