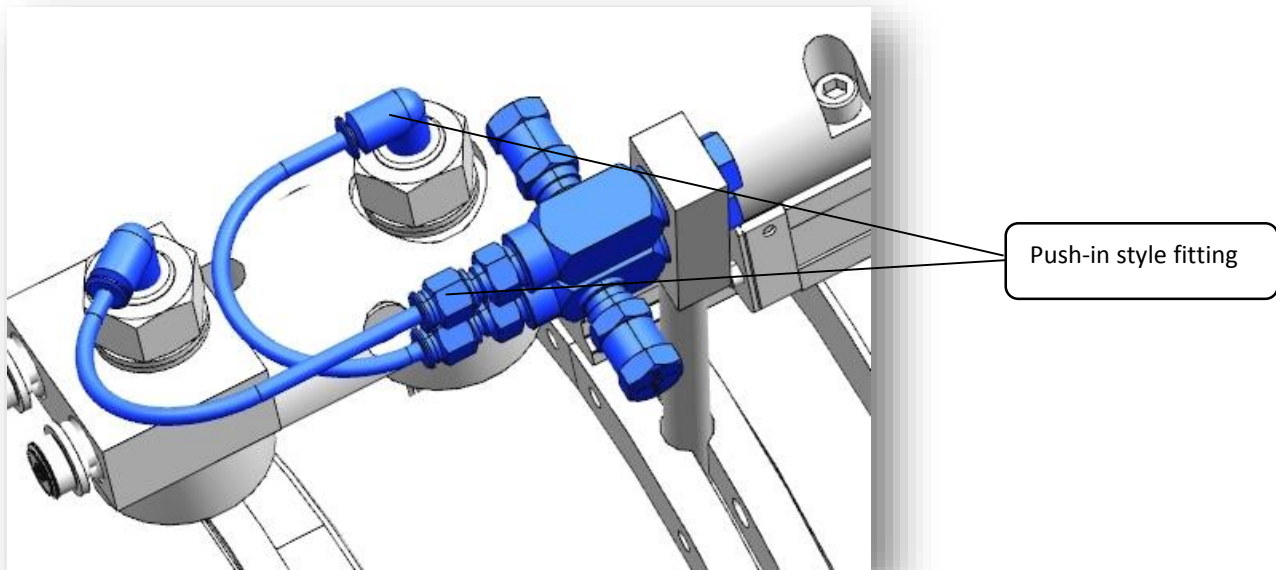


#### Improved Push-in Injector Fittings for Machine Serial Numbers 001s – 075s

**CATEGORY :** Machine Improvement

**Summary :** Carnaudmetalbox Engineering Ltd introduces the push-in style fittings for Die Necker lubrication Injectors to replace the existing compression fittings with olives, reducing machine downtime whilst conducting maintenance.



**Fig 1. Push-in Injector Fittings**

By utilising push-in style fittings, tubing nuts and olives are no longer required for assembly. This improvement will reduce the time taken to connect and disconnect parts, therefore reducing machine down time considerably.

**NOTE:** For further information regarding this Technical Bulletin please contact either of the contacts below quoting Technical Bulletin number **TB3400-027** and your machine Serial Number. A complete library of technical bulletins is available on the company web site.

Carnaud Metalbox Engineering Ltd,  
Dockfield Road, Shipley,  
West Yorkshire, BD17 7AY, UK  
Tel: +44 1274 846200, Fax: +44 1274 846201  
e-mail: [sales@CMBEcanmaking.com](mailto:sales@CMBEcanmaking.com)

Carnaud Metalbox Engineering Ltd,  
79 Rockland Road, Norwalk,  
Connecticut 06854, USA  
Tel: +1 203 853 7325, Fax: +1 203 866 7627  
e-mail: [sales@CMBEcanmaking.com](mailto:sales@CMBEcanmaking.com)