

## Introduction of Wavy Washer for Flanger Spindle Assembly

### CATEGORY: Recommended At Next Machine Maintenance

**Summary:** CarnaudMetalbox Engineering introduces 2 off Wavy Washers to prevent wear of Flanger Spindle Sleeve by outer race of rear ball bearing.

As a result of customer feedback CarnaudMetalbox Engineering introduces 2 off Wavy Washers (**Part No.27576217**) to prevent wear of the Flanger Spindle Sleeve caused by outer race of the rear ball bearing.

The use of Wavy Washers in a floating bearing design prevents the outer race of the ball bearing rotating.

The Wavy Washers also allow for the thermal expansion of the Flanging Spindle during operation whilst preloading the bearing outer race by the correct amount to prevent rotation.

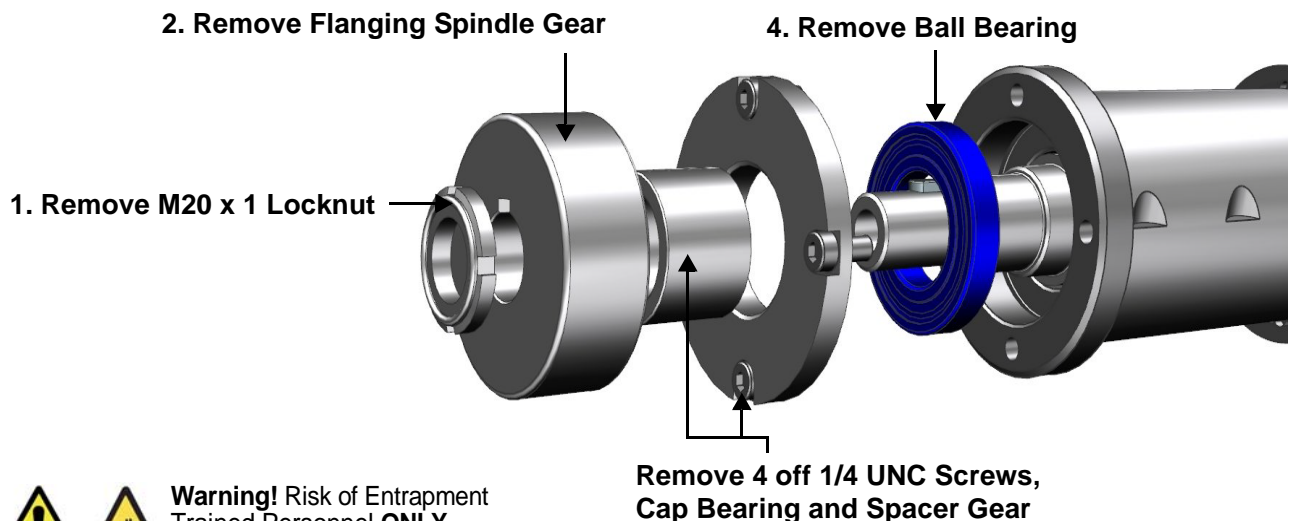
This improvement ensures longer lasting components, requires less maintenance, ensures continued flange quality performance.


### Benefits for Customers

1. Ensures longer lifespan of components.
2. Ensures continued flange quality performance.
3. Reduces maintenance and machine downtime.

### Recommended Action For Customers

1. Purchase 2 off Wavy Washers (**Part No. 27576217**) from CarnaudMetalbox Engineering.
2. Remove **Ball Bearing, FAG, 6006, 2RSR** as shown in **Fig. 2**



 **Warning!** Risk of Entrapment  
Trained Personnel **ONLY**  
Isolate & Lock Out Machine

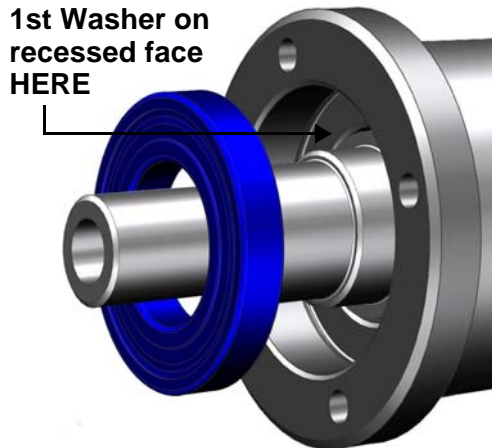
**Fig. 2**

CarnaudMetalbox Engineering Limited,  
Dockfield Road, Shipley,  
West Yorkshire, BD17 7AY, UK  
Tel: +44 1274 846200, Fax: +44 1274 846201  
**email: [sales@CMBEcanmaking.com](mailto:sales@CMBEcanmaking.com)**

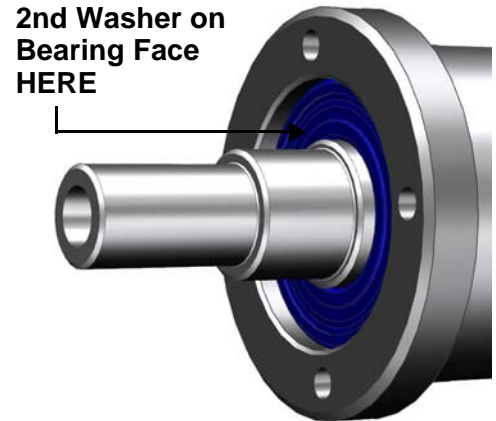
CarnaudMetalbox Engineering Limited,  
79 Rockland Road, Norwalk,  
Connecticut 06854, USA  
Tel: +1 203 853 7325, Fax: +1 203 866 7627  
**email: [sales@CMBEcanmaking.com](mailto:sales@CMBEcanmaking.com)**

## Introduction of Wavy Washer for Flanger Spindle Assembly

3. Fit 2 off Wavy Washers as shown in **Fig. 3** and **Fig. 4**

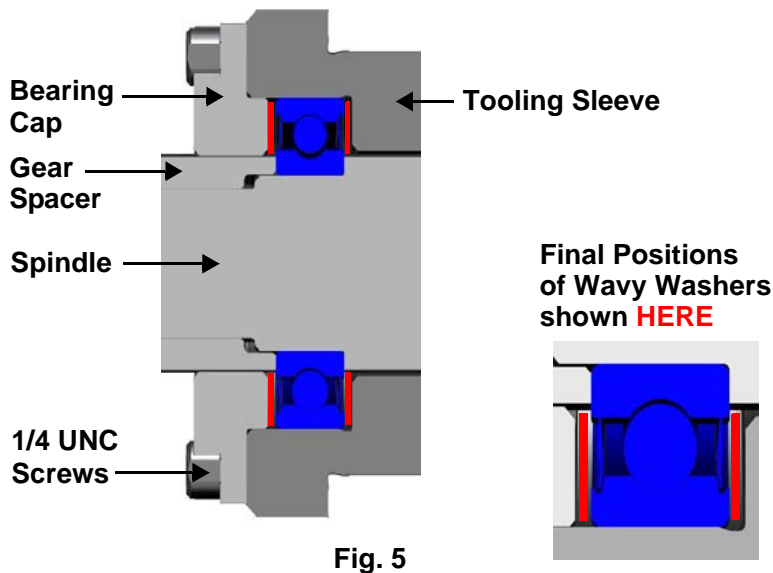


**Fig. 3**



**Fig. 4**

4. **NOTE:** Final position of Wavy Washers shown in **Fig. 5** cross-section below.



**Fig. 5**

For further information regarding this Technical Bulletin please contact either of the contacts below quoting Technical Bulletin Number **TB3400-019** and your machine Serial Number

**Note:** A complete Library of Technical Bulletins is accessible on the Company Web Site.

CarnaudMetalbox Engineering Limited,  
Dockfield Road, Shipley,  
West Yorkshire, BD17 7AY, UK  
Tel: +44 1274 846200, Fax: +44 1274 846201  
email: [sales@CMBEcanmaking.com](mailto:sales@CMBEcanmaking.com)

CarnaudMetalbox Engineering Limited,  
79 Rockland Road, Norwalk,  
Connecticut 06854, USA  
Tel: +1 203 853 7325, Fax: +1 203 866 7627  
email: [sales@CMBEcanmaking.com](mailto:sales@CMBEcanmaking.com)