

Upgrade of Transfer Turret Assembly - Driven and Transfer Turret Assembly - Drive Bearings

CATEGORY: Recommended upgrade for Transfer Turret Assembly - Driven and Transfer Turret Assembly - Drive.

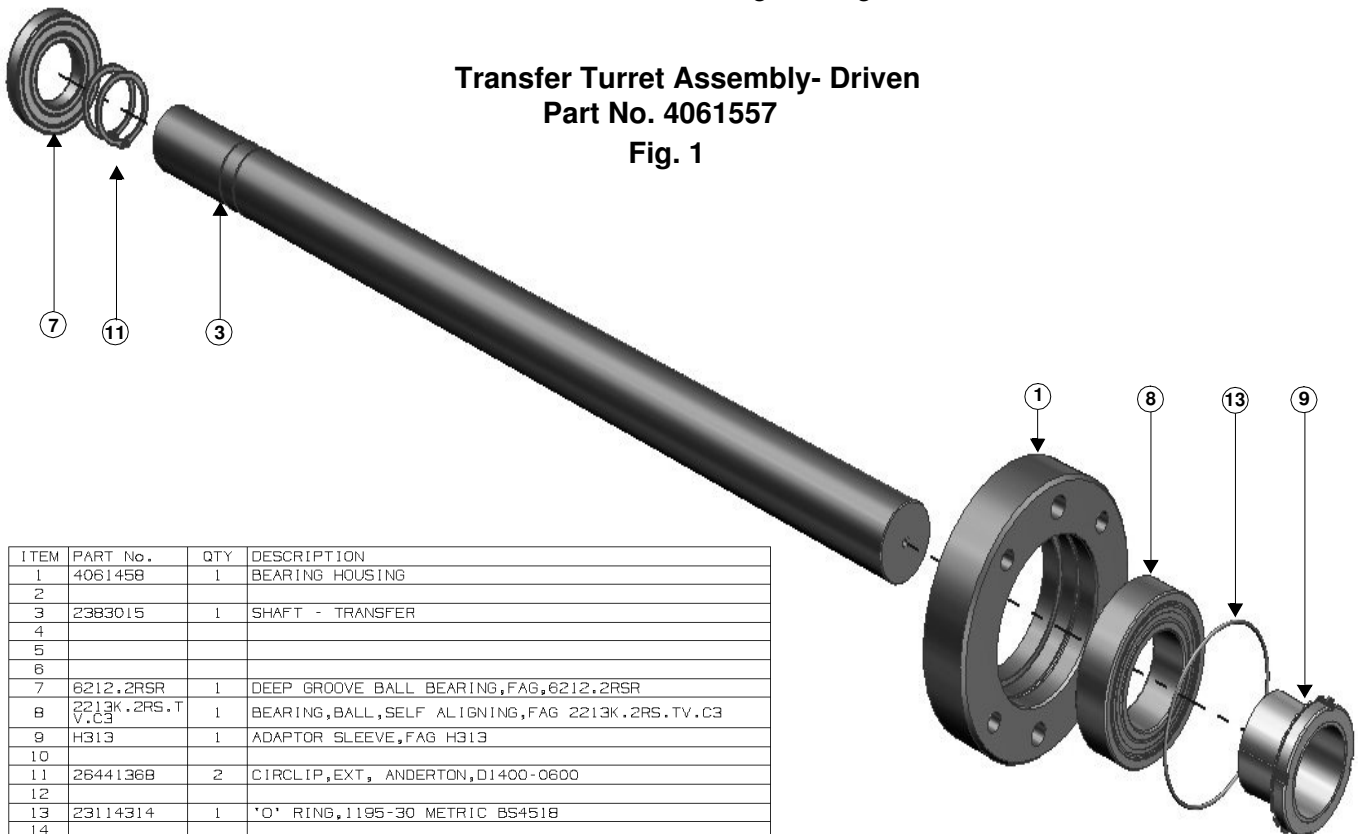
Summary: CarnaudMetalbox Engineering introduce a Transfer Turret Assembly Driven (**part no.4061557**) and Transfer Turret Assembly Drive (**part no. 4061558**) upgrade to further increase the life of the main bearing.

As a result of periodic CarnaudMetalbox Engineering reviews the following upgrade will increase the life of the bearings, reduce downtime and thus increase efficiency.

CarnaudMetalbox Engineering therefore introduce the following upgrades (**part no. 4061557 & part no. 4061558**) to recover any worn parts and further extend component life beyond the typical period of 3 - 4 years.

Recommended Action for Customers

Customers are advised to inspect and replace where required the existing Transfer Turret - Driven Assembly with **part no. 4061557 (See Fig. 1)** and the existing Transfer Turret Assembly - Drive with **part no. 4061558 (See Fig. 2)** at the first available opportunity. All parts required for this upgrade, including the **Bearing Drift part no. 4061538**, are available from CarnaudMetalbox Engineering.



**Transfer Turret Assembly- Driven
Part No. 4061557
Fig. 1**

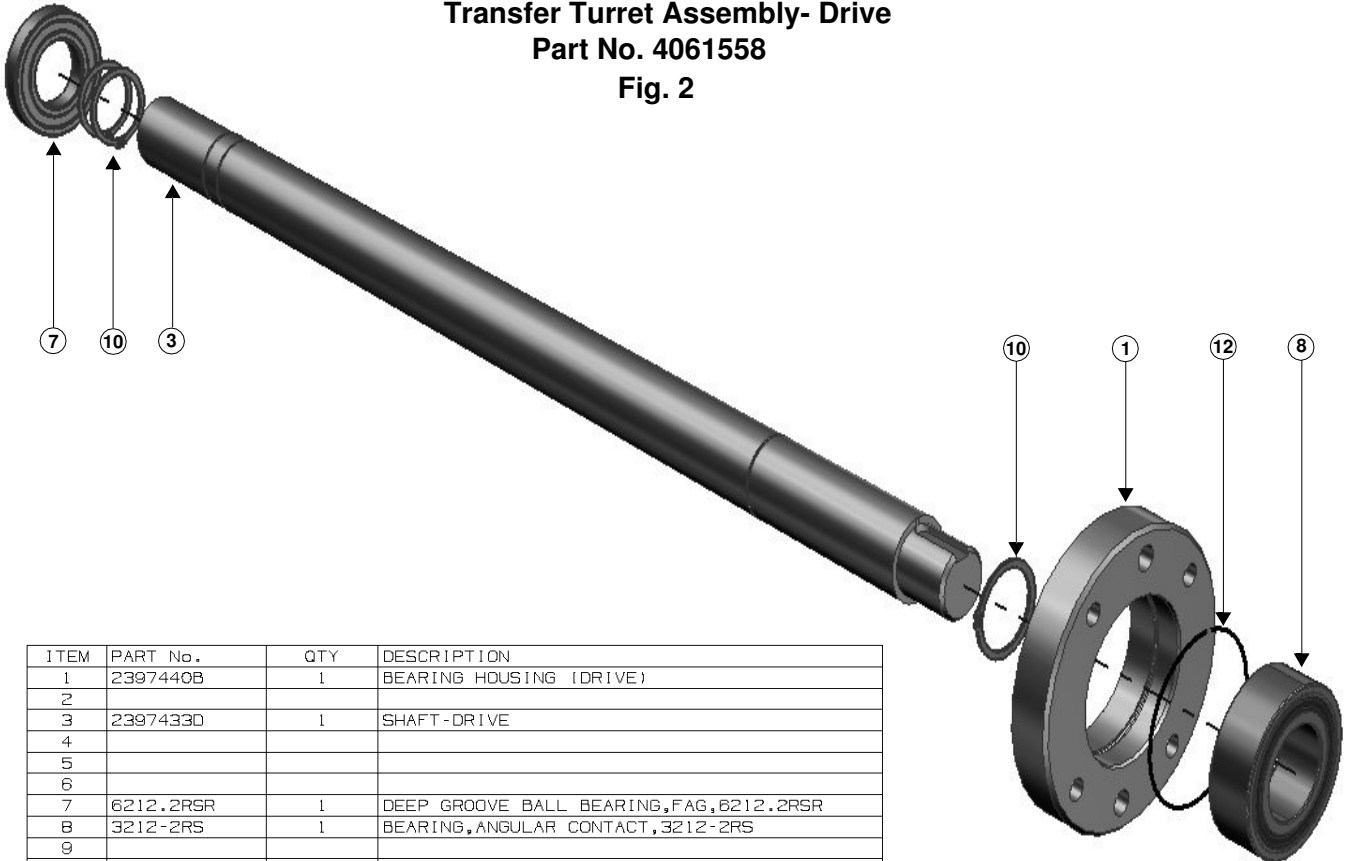
ITEM	PART No.	QTY	DESCRIPTION
1	4061456	1	BEARING HOUSING
2			
3	2383015	1	SHAFT - TRANSFER
4			
5			
6			
7	6212.2RSR	1	DEEP GROOVE BALL BEARING,FAG,6212.2RSR
8	2213K.2RS.T V.C3	1	BEARING,BALL,SELF ALIGNING,FAG 2213K.2RS.TV.C3
9	H313	1	ADAPTOR SLEEVE,FAG H313
10			
11	2644136B	2	CIRCLIP,EXT, ANDERTON,D1400-0600
12			
13	23114314	1	'O' RING,1195-30 METRIC BS4518
14			
15	2396631	1	SHIM
16	21111312	4	SCREW,SDC CAP,3/8 UNC X 2

CarnaudMetalbox Engineering Limited,
Dockfield Road, Shipley,
West Yorkshire, BD17 7AY, UK
Tel: +44 1274 846200, Fax: +44 1274 846201
email: sales@CMBEcanmaking.com

CarnaudMetalbox Engineering Limited,
79 Rockland Road, Norwalk,
Connecticut 06854, USA
Tel: +1 203 853 7325, Fax: +1 203 866 7627
email: sales@cCMBEcanmaking.com

**Upgrade of Transfer Turret Assembly - Driven and
Transfer Turret Assembly - Drive Bearings**

**Transfer Turret Assembly- Drive
Part No. 4061558
Fig. 2**



ITEM	PART No.	QTY	DESCRIPTION
1	2397440B	1	BEARING HOUSING (DRIVE)
2			
3	2397433D	1	SHAFT-DRIVE
4			
5			
6			
7	6212.2RSR	1	DEEP GROOVE BALL BEARING,FAG,6212.2RSR
8	3212-2RS	1	BEARING,ANGULAR CONTACT,3212-2RS
9			
10	2644136B	3	CIRCLIP,EXT, ANDERTON,D1400-0600
11			
12	2311430B	1	'O' RING,1095-30 METRIC BS451B
13	21111224	4	SCREW,SOC CAP,3/8UNC X 1.1/2
14	2396631	1	SHIM

For further information regarding this Technical Bulletin please contact either of the contacts below quoting Technical Bulletin Number **TB3400-013** and your machine Serial Number

NOTE: A complete Library of Technical Bulletins is accessible on the Company Web Site.

CarnaudMetalbox Engineering Limited,
Dockfield Road, Shipley,
West Yorkshire, BD17 7AY, UK
Tel: +44 1274 846200, Fax: +44 1274 846201
email: sales@CMBEcanmaking.com

CarnaudMetalbox Engineering Limited,
79 Rockland Road, Norwalk,
Connecticut 06854, USA
Tel: +1 203 853 7325, Fax: +1 203 866 7627
email: sales@cCMBEcanmaking.com