

Category: Recommended at next scheduled maintenance

Benefits to Customers:

- Reduces downtime
- Improves reliability

Summary:

CarnaudMetalbox Engineering Ltd are recommending a new Spinner Motor Belt for use on all Single Turret reformat Lacquer Spray Machines which incorporate Servo motors. The belt has a reduced thickness and uses a tension of 1 to 1.5% to improve reliability and lifespan. It is recommended that the new belt is introduced at the next scheduled machine maintenance. The tension is achieved by adjusting the Spinner Pulleys to the 12 o'clock and 6 o'clock positions. Full tensioning instructions are included to optimise belt and machine performance.

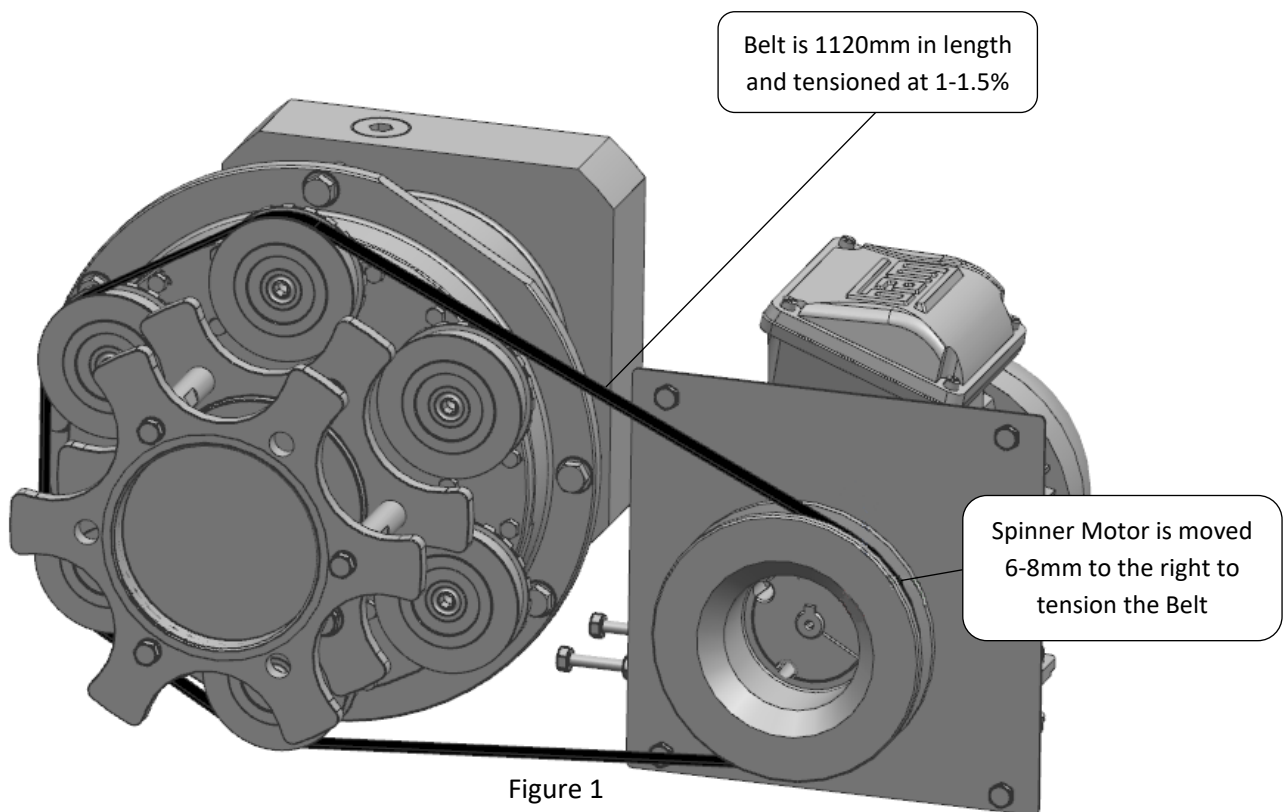


Figure 1

NOTE: This item is only applicable to machines using the Servo Motor Units.

For further information regarding this Technical Bulletin, please contact either of the contacts below quoting Technical Bulletin number **TB3200S-001** and your machine Serial Number. A complete library of Technical Bulletins is available on the company web site.